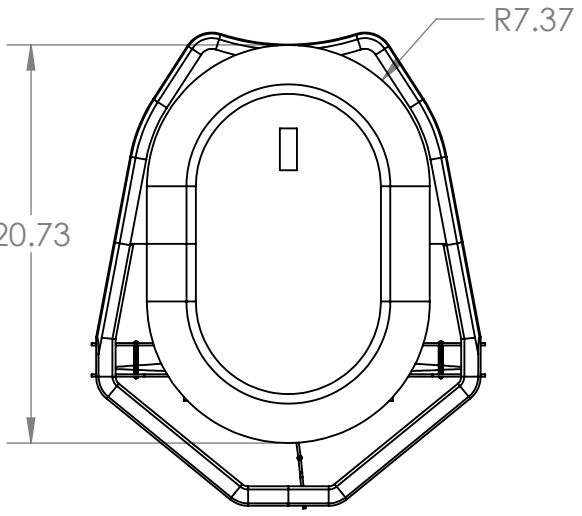
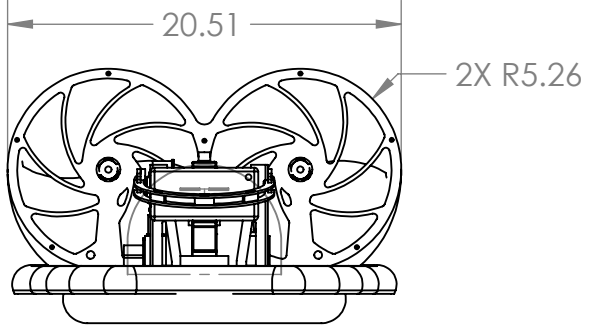
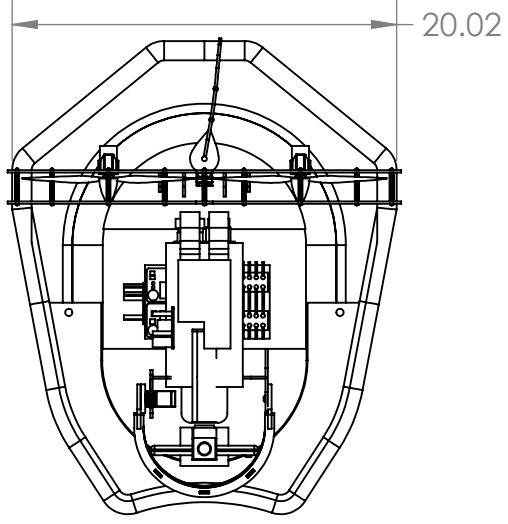
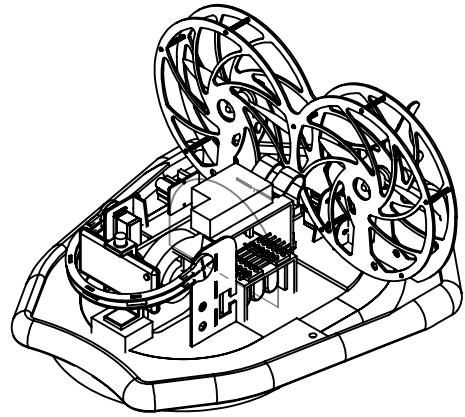


B

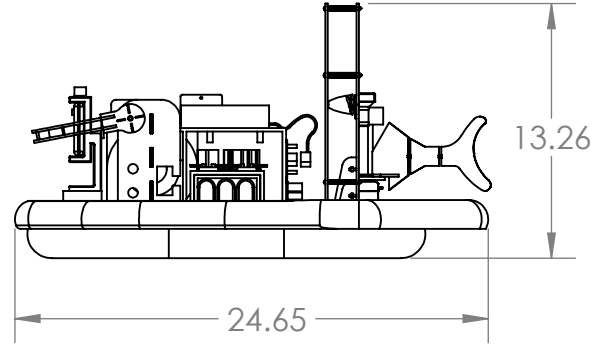


A

1



B



A

TITLE:
**ME218C TEAM 2 DOG
 (HOVERCRAFT)**

SIZE	DWG. NO.	REV
A	LeftSharkDOG	3
SCALE: 1:10 WEIGHT:		SHEET 1 OF 1

NOTES:
 1. ALL DIMENSIONS IN INCHES
 UNLESS OTHERWISE NOTED

2

1